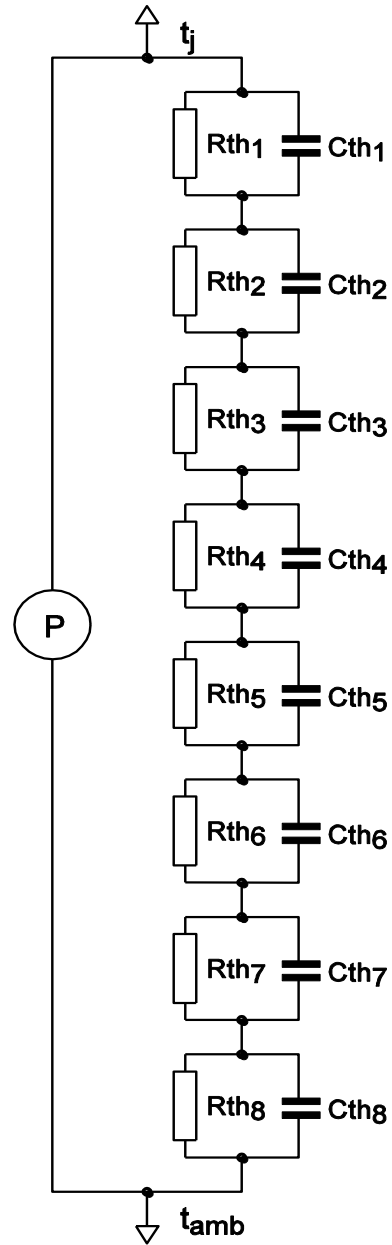


SPICE thermal model

PSMN2R0-25MLD

Symbol	Parameter	Conditions	Min	Typ	Max	Unit
$R_{th(j-mb)}$	thermal resistance from junction to mounting base		-	-	1.65	K/W

Cth ₁	2.796E-05 F
Cth ₂	2.102E-04 F
Cth ₃	3.989E-04 F
Cth ₄	1.624E-03 F
Cth ₅	5.210E-03 F
Cth ₆	6.739E-03 F
Cth ₇	1.523E-01 F
Cth ₈	1.325E+02 F
Rth ₁	2.674E-03 Ω
Rth ₂	4.942E-03 Ω
Rth ₃	2.351E-02 Ω
Rth ₄	6.669E-02 Ω
Rth ₅	2.332E-01 Ω
Rth ₆	1.122E+00 Ω
Rth ₇	1.958E-01 Ω
Rth ₈	2.337E-03 Ω



Part: PSMN2R0-25MLD
 Date: 21/3/2016
 Model Rth 1.65 K/W